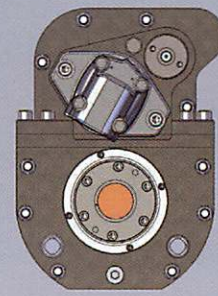


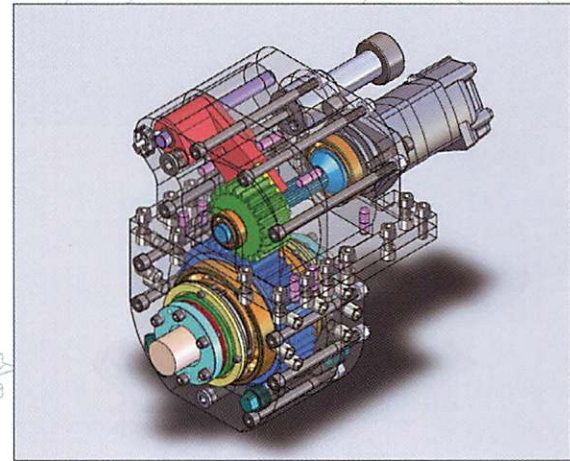
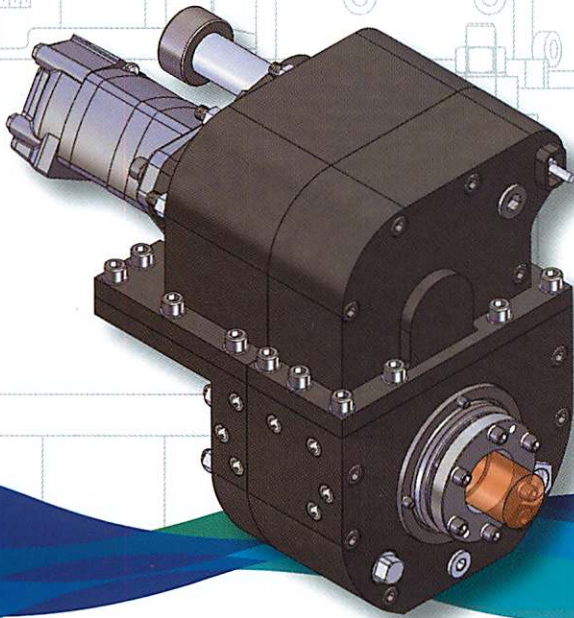
SIDE VIEW



REAR VIEW

ABT·TRAC®

GET HOME DRIVE



The TRAC Get Home Drive is a hydraulically driven gearbox mounted on your main engine propeller shaft to provide an alternate means of propulsion should the main engine be off or disabled. Using the vessel's generator(s) or alternate engine prime mover, hydraulic power is directed to the hydraulic motor on the TRAC Get Home Drive providing either forward or reverse continuous duty operation as needed to cruise or maneuver the vessel. Engagement, disengagement, direction and speed control of the TRAC Get Home Drive is accomplished by use of a remote control panel mounted in the vessel Pilothouse.

To offer superior speed optimizing flexibility the TRAC Get Home Drive utilizes an exclusive split case design which allows changing of the drive gear set ratio and hydraulic motor displacement without removal from the vessel, saving time and cost. The TRAC Get Home Drive completely disconnects from the hydraulic motor drive when not in use reducing wear, heat generation and drag. Lubrication is provided by a simple oil sump

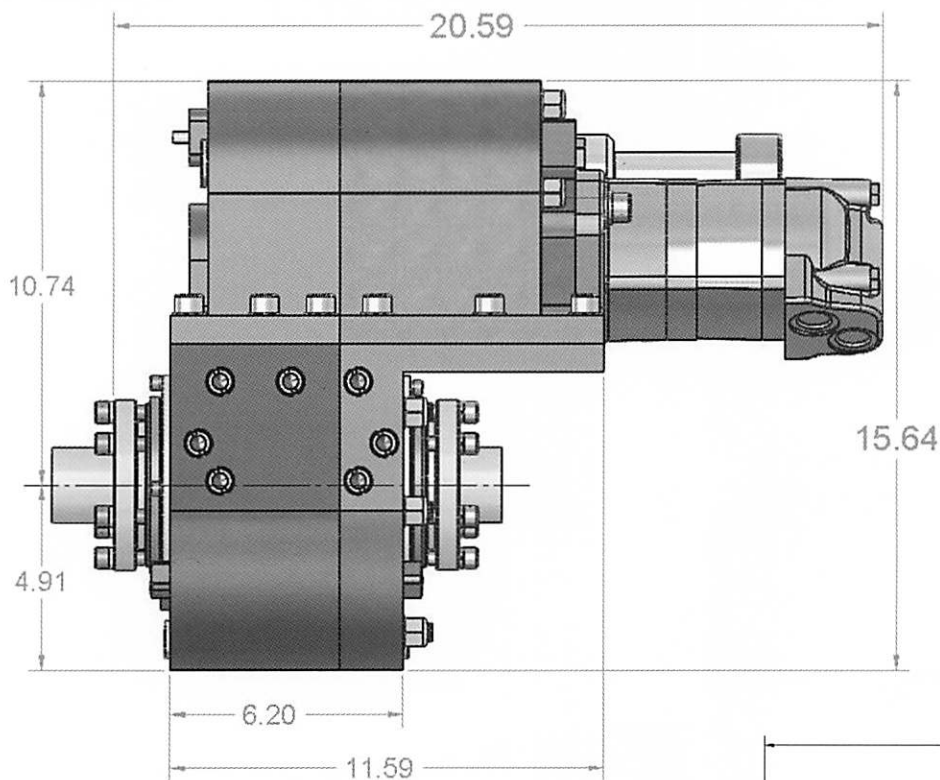
splash design inside a sealed case. The TRAC Get Home Drive is designed to be robust and reliable providing peace of mind when it really counts.

- Fully self contained unit remotely engaged from pilot house
- Works with TRAC hydraulic systems
- Multiple gear ratios available to match your design requirements
- Fits 2" through 3" propeller shafts
- Slides over propeller shaft (no cutting or welding necessary)
- Solid gear drive with 100% duty cycle (no belts or chains)
- Spring loaded actuator prevents accidental engagement of drive gear
- Very low maintenance

Taking Care Of You Every Step Of The Way.

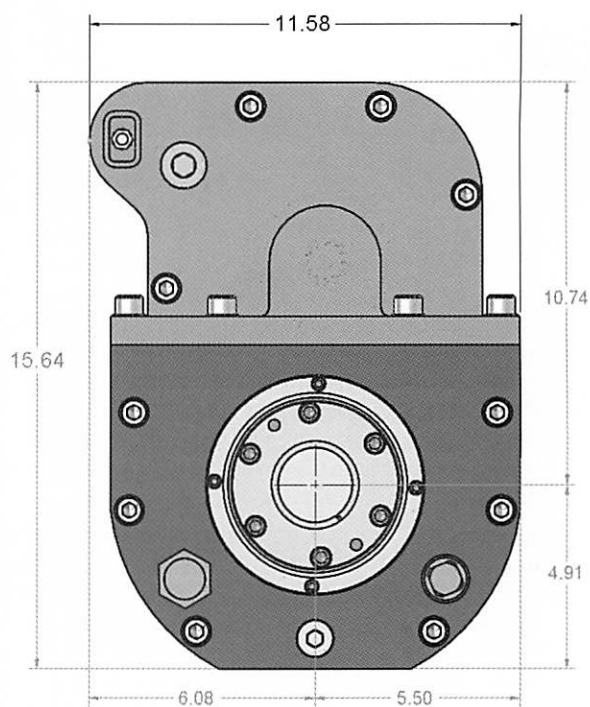
ABT·TRAC®

517-A Martin Avenue, Rohnert Park, CA 94928 USA
TEL 707•586•3155 800•535•5377 FAX 707•586•3159
www.thrusters.com



- Fits 2.0" through 3.0" propeller shafts

- Up to 25 Hp



Dimensions shown for reference only and are subject to change. Do not use for installation.