



FERRETI NAVETTA 33M



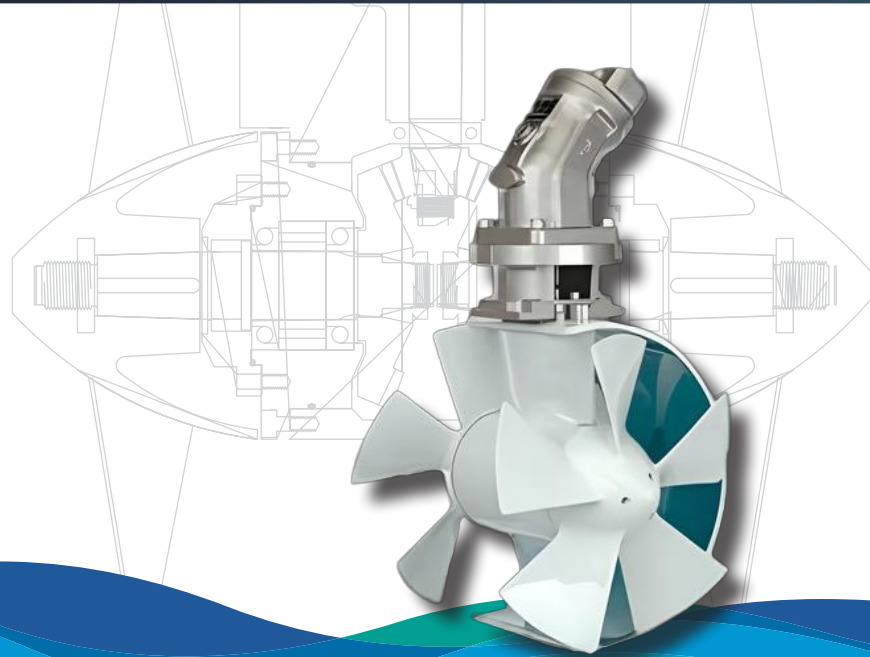
HORIZON ELEGANCE 116



NORDHAVN 72

ABT·TRAC®

16"-20" HYDRAULIC THRUSTERS



Proportional control. Low profile, Ergonomic design. Spring-to-center or friction lock lever. Power on indicator and audible alarm indicator. Single or dual configuration (bow and stern thruster).

TRAC Hydraulic Thrusters

- TRAC Thrusters deliver **more thrust per horsepower** than any other thruster available
- Twin **counter-rotating propellers** maximize efficiency and eliminate wasted energy

High-Efficiency Power & Control

- High-efficiency piston motors for reliable, heavy-duty performance
- 16-inch thrusters up to 75 hp / 20-inch thrusters up to 100 hp
- Thruster control is available in single or proportional speed. Proportional control enables precise maneuvering control

Built for Heavy-Duty Service

- Oversized gears and bearings for long service life
- Propeller hubs shroud the gearbox to protect the prop shaft
- Rotating seal guard provides maximum protection of shaft seals

Ready to Install & Fully Supported

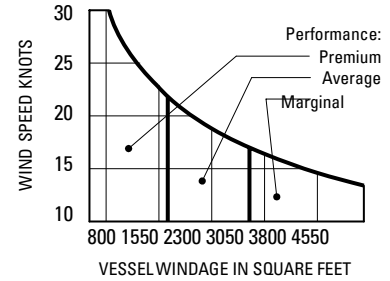
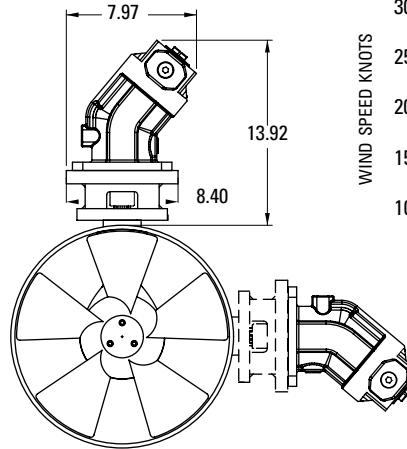
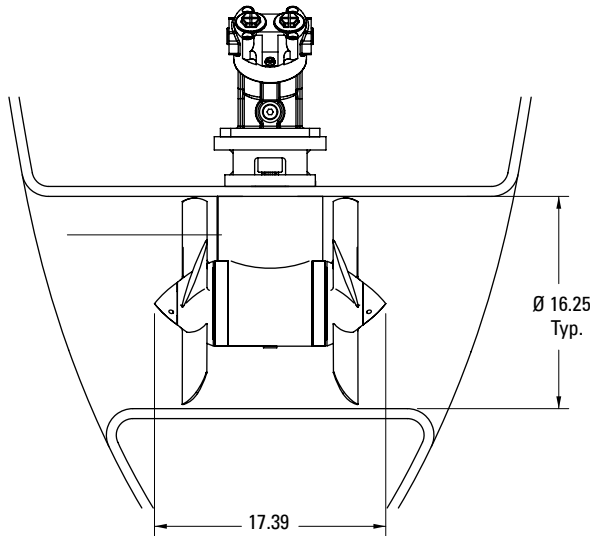
- Systems are fully documented and delivered ready to install
- Factory-tested components
- Expert support from factory technicians and global service network

For exceptional performance, highest quality, and unmatched support, choose ABT·TRAC

ABT·TRAC®

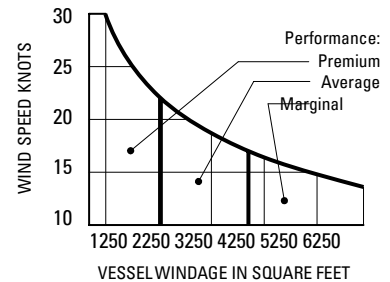
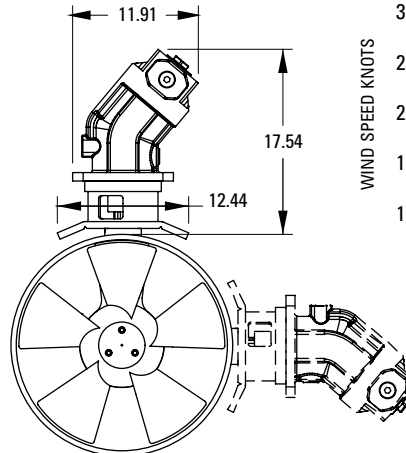
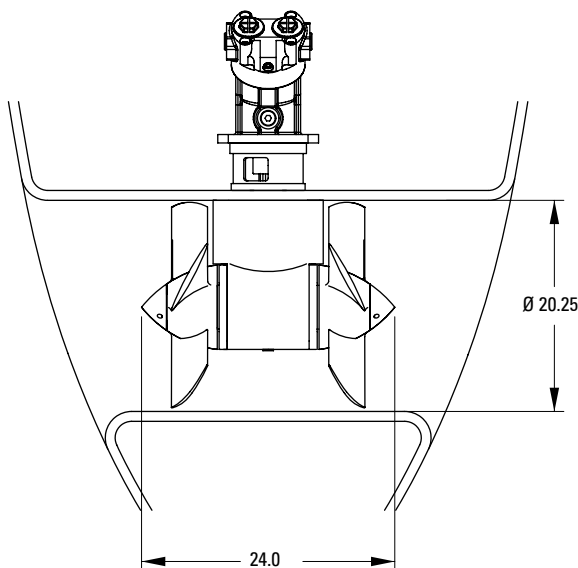
6108 188th Street N.E., Bldg. A100, Arlington, WA USA
TEL WA: 425-481-2296 CA: 707-586-3155
www.thrusters.com

16" up to 75 HP



	16 INCH	FIBERGLASS	ALUMINUM	STEEL
Tunnel Dimensions	inch (mm)	inch (mm)	inch (mm)	inch (mm)
INSIDE DIAMETER	16.25 (411.50)	16.25 (411.50)	16.25 (411.50)	16.25 (411.50)
OUTSIDE DIAMETER	17.38 (438.20)	17.00 (431.80)	17.00 (431.80)	17.00 (431.80)
Tunnel Weight	lbs/ft (kg/m)	lbs/ft (kg/m)	lbs/ft (kg/m)	lbs/ft (kg/m)
	22.0 (32.70)	21.80 (32.40)	63.00 (93.70)	

20" up to 100 HP



	20 INCH	FIBERGLASS	ALUMINUM	STEEL
Tunnel Dimensions	inch (mm)	inch (mm)	inch (mm)	inch (mm)
INSIDE DIAMETER	20.25 (513.10)	20.25 (513.10)	20.25 (513.10)	20.25 (513.10)
OUTSIDE DIAMETER	21.88 (552.50)	21.25 (539.80)	21.25 (539.80)	21.25 (539.80)
Tunnel Weight	lbs/ft (kg/m)	lbs/ft (kg/m)	lbs/ft (kg/m)	lbs/ft (kg/m)
	-	-	38.10 (56.60)	110.00 (163.70)

Dimensions shown for reference only and are subject to change. Do not use for installation.